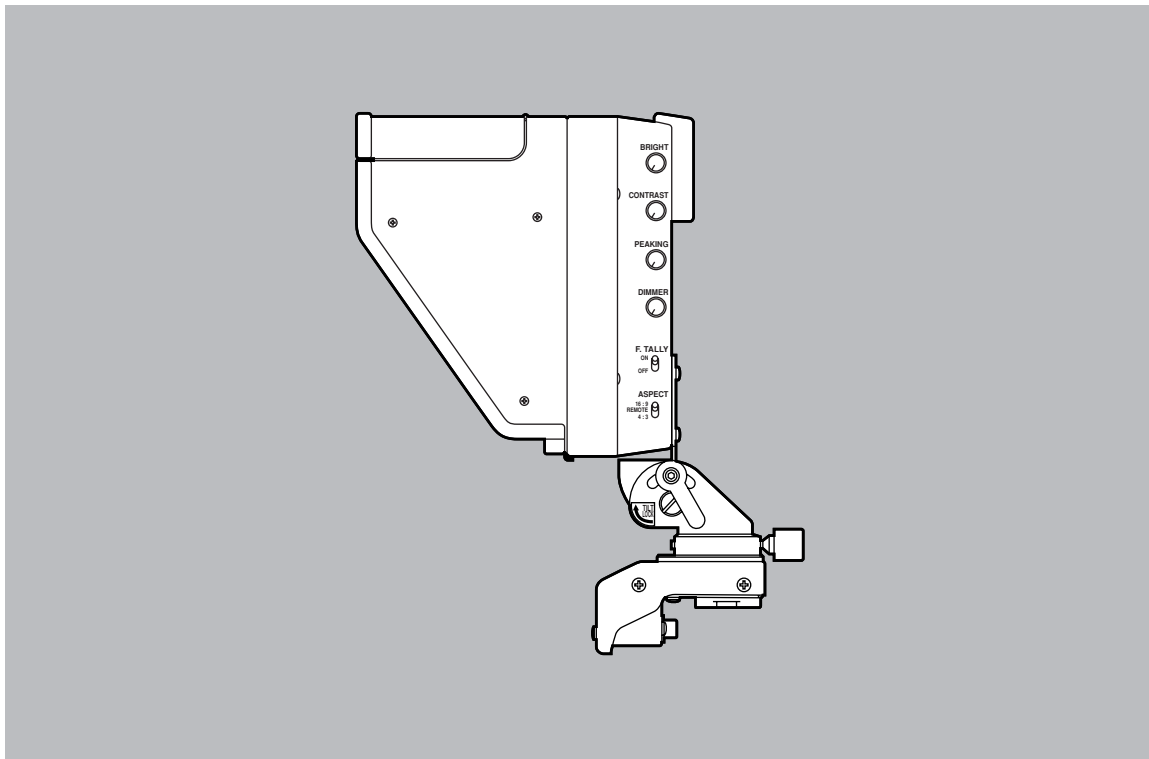


# Operating Instructions



8" LCD Viewfinder  
Model AK-HVF931P



**Panasonic**<sup>®</sup>

Before attempting to connect, operate or adjust this product, please read these instructions completely.

# For your safety

	<b>CAUTION</b> RISK OF ELECTRIC SHOCK DO NOT OPEN	
CAUTION: TO REDUCE THE RISK OF ELECTRIC SHOCK, DO NOT REMOVE COVER (OR BACK). NO USER SERVICEABLE PARTS INSIDE. REFER SERVICING TO QUALIFIED SERVICE PERSONNEL.		



The lightning flash with arrowhead symbol, within an equilateral triangle, is intended to alert the user to the presence of uninsulated "dangerous voltage" within the product's enclosure that may be of sufficient magnitude to constitute a risk of electric shock to persons.



The exclamation point within an equilateral triangle is intended to alert the user to the presence of important operating and maintenance (service) instructions in the literature accompanying the appliance.

For CANADA

This class A digital apparatus complies with Canadian ICES-003.  
Cet appareil numérique de la classe A est conforme à la norme NMB-003 du Canada.

## FCC Note:

This device complies with Part 15 of the FCC Rules. To assure continued compliance follow the attached installation instructions and do not make any unauthorized modifications.

This equipment has been tested and found to comply with the limits for a class A digital device, pursuant to Part 15 of the FCC Rules. These limits are designed to provide reasonable protection against harmful interference when the equipment is operated in a commercial environment. This equipment generates, uses, and can radiate radio frequency energy and, if not installed and used in accordance with the instruction manual, may cause harmful interference to radio communications. Operation of this equipment in a residential area is likely to cause harmful interference in which case the user will be required to correct the interference at his/her own expense.

## WARNING:

**TO REDUCE THE RISK OF FIRE OR SHOCK HAZARD, DO NOT EXPOSE THIS EQUIPMENT TO RAIN OR MOISTURE.**

## CAUTION:

**TO REDUCE THE RISK OF FIRE OR SHOCK HAZARD AND ANNOYING INTERFERENCE, USE ONLY THE RECOMMENDED ACCESSORIES .**

 indicates safety information.

## Environmental precaution

This product has a fluorescent lamp that contains a small amount of mercury. It also contains lead in some components. Disposal of these materials may be regulated in your community due to environmental considerations.

For disposal or recycling information please contact your local authorities, or the Electronics Industries Alliance: <<http://www.eiae.org>>

# Contents

---

For your safety .....	2
Environmental precaution .....	2
Overview .....	3
Accessories .....	3
Operating precautions .....	3
Controls and their functions .....	4
Adjustments .....	5
Viewfinder operations .....	5
External dimension drawings .....	7
Specifications .....	8

## Overview

---

The model AK-HVF931P is an LCD viewfinder which is designed for use with the AK-HC931P multi-format camera.

## Accessories

---

- Flat screws for attaching the D-sub connector mounting clamp (M3×4)
- Screws for attaching the D-sub connector (×2)
- Tally No. sheet [×1 (1 set)]

## Operating precautions

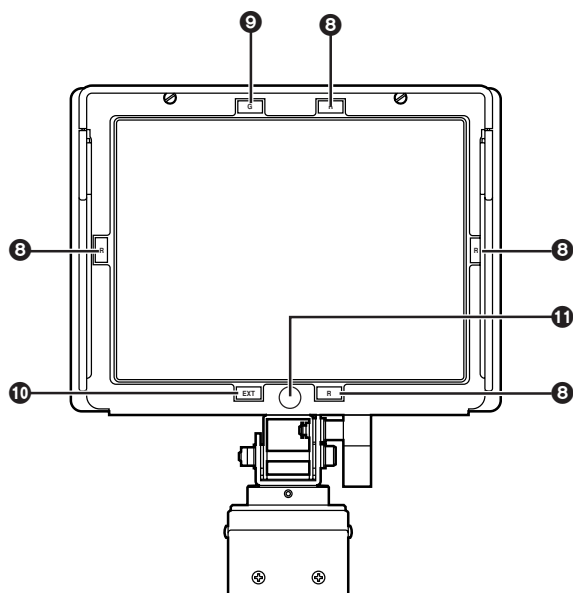
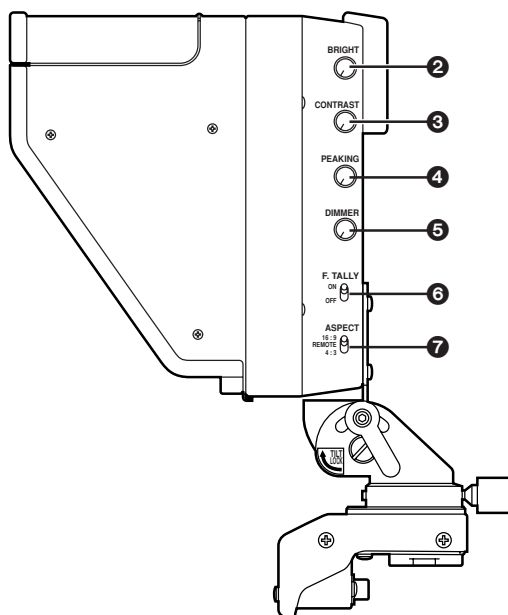
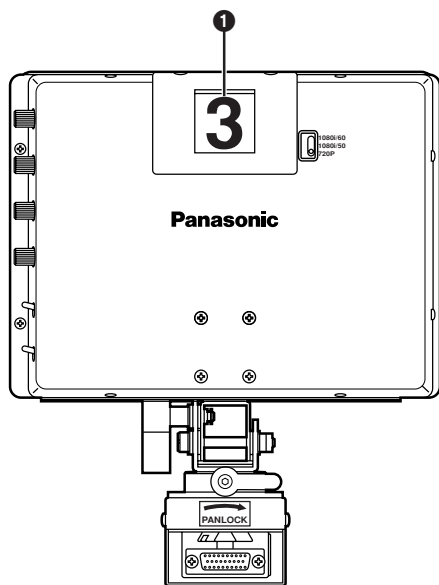
---

- Handle the viewfinder carefully.  
Dropping the viewfinder or subjecting it to strong impact may cause malfunctioning and/or accidents.
- Operate the viewfinder within a temperature range of 32°F to 104°F (0°C to +40°C). Operation in locations below 32°F or above 104°F may adversely affect the internal parts.
- Be absolutely sure to turn off the power before connecting or disconnecting the cables.
- Do not use the viewfinder outdoors.
- Install the viewfinder at a distance of at least 3.3 ft (1 meter) from the monitor.
- Maintenance  
Disconnect the optical fiber cable plug, and wipe the viewfinder with a dry cloth. To remove stubborn dirt, soak a cloth in diluted kitchen detergent and wring it out well, and then wipe the viewfinder gently.

### Caution

- Avoid using benzene, paint thinners or other volatile substances.
- If a chemically treated cloth is to be used, read the precautions for its use carefully.

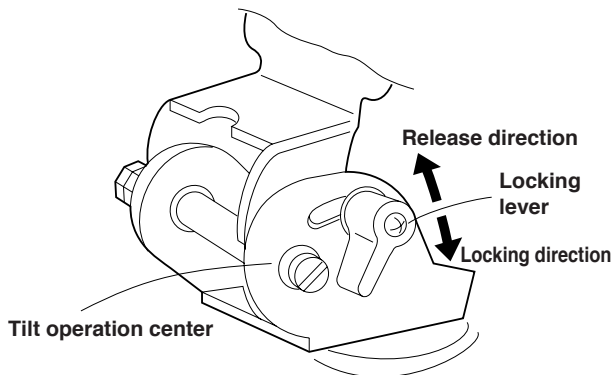
# Controls and their functions



- 1 Front tally lamp**  
When the tally lamp switch is at ON, this lamps lights when the red tally signal is input.
- 2 Brightness adjustment control [BRIGHT]**  
This is used to adjust the brightness of the viewfinder screen.
- 3 Contrast adjustment control [CONTRAST]**  
This is used to adjust the contrast of the viewfinder images.
- 4 Peaking adjustment control [PEAKING]**
- 5 Brightness adjustment control [DIMMER] for the LED inside the viewfinder**  
This is used to adjust the brightness of the LEDs (red, green, EXT) of the viewfinder.
- 6 Front tally ON/OFF selector switch [F.TALLY]**  
This is used turn the front tally lamp ON or OFF.
- 7 Aspect ratio selector switch [ASPECT]**  
This is used to switch the aspect ratio of the LCD screen from 16:9 to 4:3 or vice versa.  
When it is set to REMOTE, the aspect ratio is automatically switched from 16:9 to 4:3 or vice versa by the control on the camera.
- 8 R tally indicators [R]**  
These indicators light when the R tally signal is input.
- 9 Tally indicator [G]**  
This indicator lights when the G tally signal is input.
- 10 Lens extender indicator [EXT]**  
This indicator lights when the extender has been attached to the lens.
- 11 Hood anchoring knob**

# Adjustments

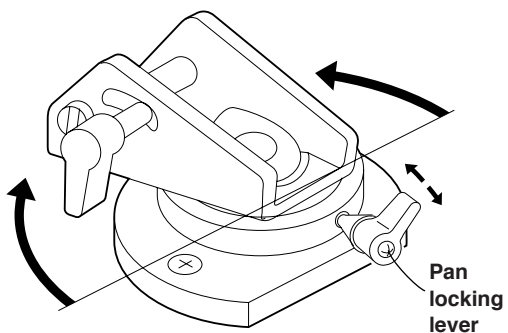
## Viewfinder tilting



Move the locking lever on the mechanism section of the main unit's bottom panel in the counterclockwise (release) direction, tilt the viewfinder to the desired angle, and move the lever in the locking direction to lock it at this angle.

## Viewfinder panning

The pan lock lever can be found behind the mechanism section.

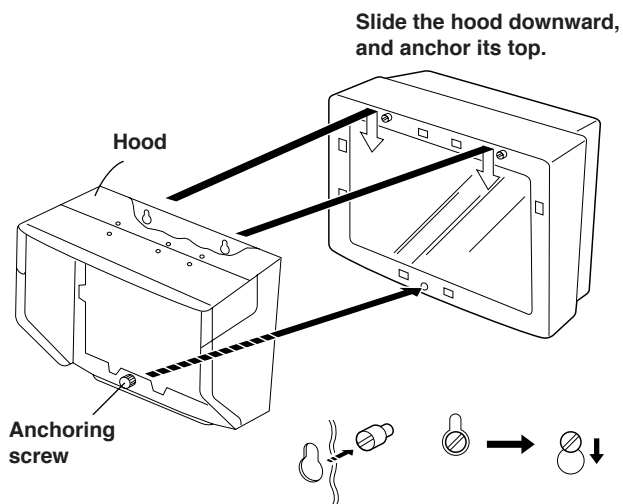


- When the lever is moved counterclockwise, the top of the mechanism section can be rotated. Move the lever clockwise to lock the mechanism section in place.
- The viewfinder can be panned to any angle from +90° to -90°.

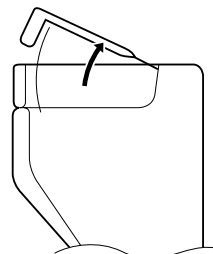
# Viewfinder operations

## Attaching and removing the hood

- ① Align the holes in the protruding part of the hood with the two anchoring screws at the top of the main unit, slide the hood downward, and anchor its top.



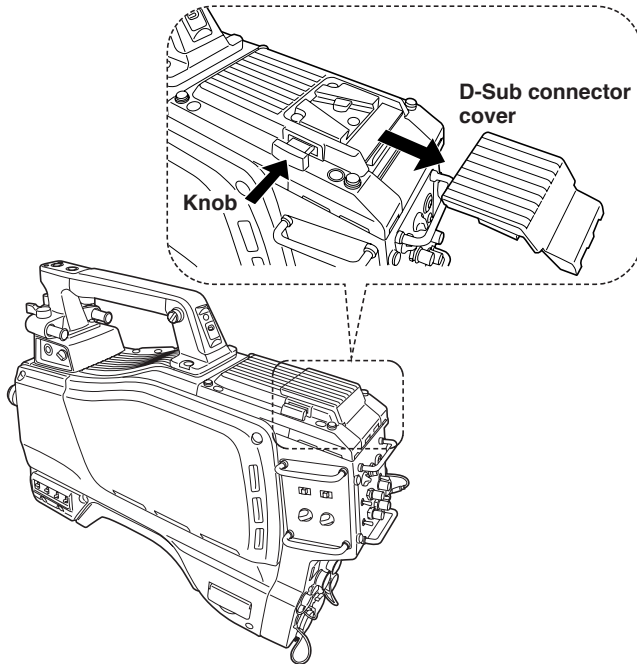
- The hood is anchored to the bottom of the main unit using the anchoring screws at the bottom of the hood.
- The front of the hood can be moved upward.



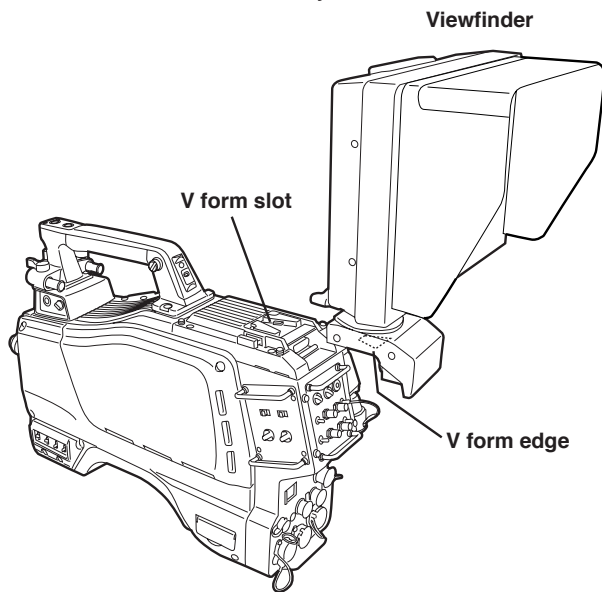
# Viewfinder operations

## Mounting the viewfinder on the camera

- ① Press the knob on the camera and slide the D-Sub connector cover to detach it.



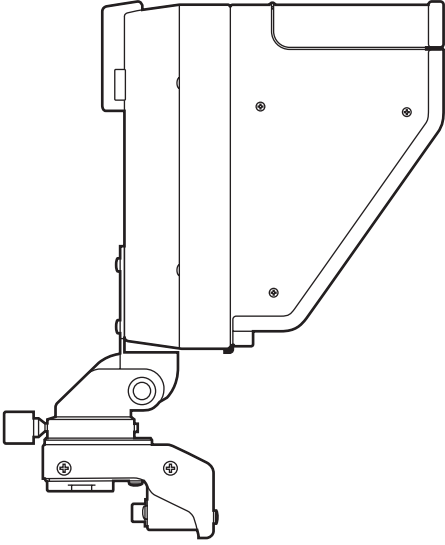
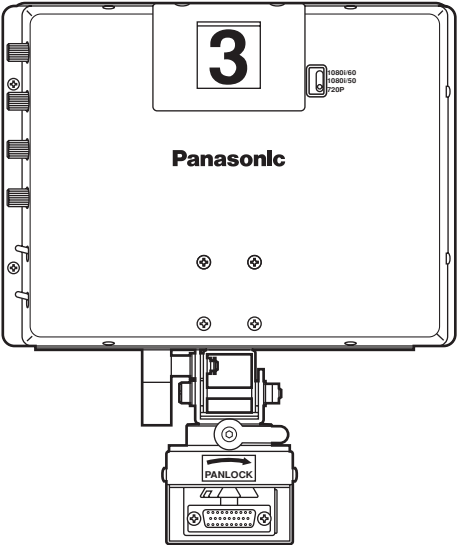
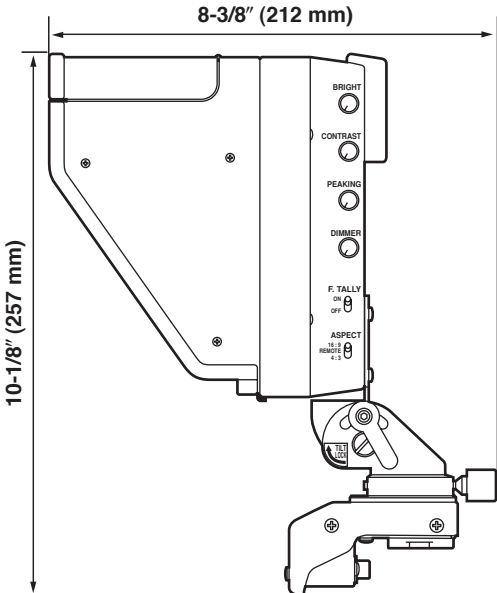
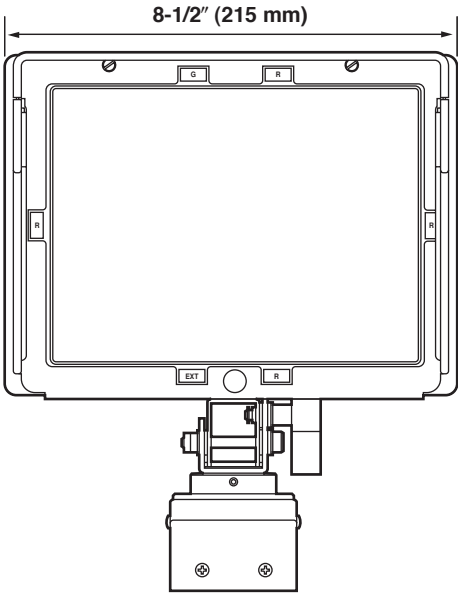
- ② Mount the viewfinder on the camera by uniting V form edge of the View finder with V form slot on the camera. When mounting ends, confirm whether the viewfinder is mounted to the camera firmly.



## Detaching the Viewfinder

- ① Press the knob on the camera and slide the viewfinder to detach it.  
When the viewfinder is detached, attach the D-Sub connector cover to the camera so that dust does not enter to the D-Sub connector.

# External dimension drawings



# Specifications

---

Power supply:	DC +12 V (supplied from camera)
Power consumption:	15 W

 indicates safety information.

Switch functions:	Front tally ON/OFF switching, aspect ratio switching
Adjustment functions:	Brightness, contrast, peaking
Operating temperature range:	32°F to 104°F (0°C to +40°C)
Storage temperature range:	-4°F to 140°F (-20°C to +60°C)
Operating ambient humidity:	Less than 85%
Dimensions:	8-7/16(W)×10-1/8(H)×8-3/8(D) inch (excluding pan-tilt head and protrusions) 215(W)×257(H)×212(D) mm
Weight:	Approx. 4.1 lbs (1.85 kg)

Weight and dimensions shown are approximate.  
Specifications are subject to change without notice.





---

# Panasonic

**PANASONIC BROADCAST & TELEVISION SYSTEMS COMPANY**  
UNIT COMPANY OF MATSUSHITA ELECTRIC CORPORATION OF AMERICA

**Executive Office:**

3330 Cahuenga Blvd W., Los Angeles, CA 90068 (323) 436-3500

**EASTERN ZONE:**

One Panasonic Way 4E-7, Secaucus, NJ 07094 (201) 348-7621

**Southeast Region:**

1225 Northbrook Parkway, Ste 1-160, Suwanee, GA 30024 (770) 338-6835

**Central Region:**

1707 N Randall Road E1-C-1, Elgin, IL 60123 (847) 468-5200

**WESTERN ZONE:**

3330 Cahuenga Blvd W., Los Angeles, CA 90068 (323) 436-3500

**Government Marketing Department:**

52 West Gude Drive, Rockville, MD 20850 (301) 738-3840

**Broadcast PARTS INFORMATION & ORDERING:**

9:00 a.m. – 5:00 p.m. (EST) (800) 334-4881/24 Hr. Fax (800) 334-4880

Emergency after hour parts orders (800) 334-4881

**TECHNICAL SUPPORT:**

Emergency 24 Hour Service (800) 222-0741

**Panasonic Canada Inc.**

5770 Ambler Drive, Mississauga, Ontario L4W 2T3 (905) 624-5010

**Panasonic de Mexico S.A. de C.V.**

Av angel Urraza Num. 1209 Col. de Valle 03100 Mexico, D.F. (52) 1 951 2127

**Panasonic Sales Company**

**Division of Matsushita Electric of Puerto Rico Inc.**

San Gabriel Industrial Park, 65th Infantry Ave., Km. 9.5, Carolina, Puerto Rico 00630 (787) 750-4300